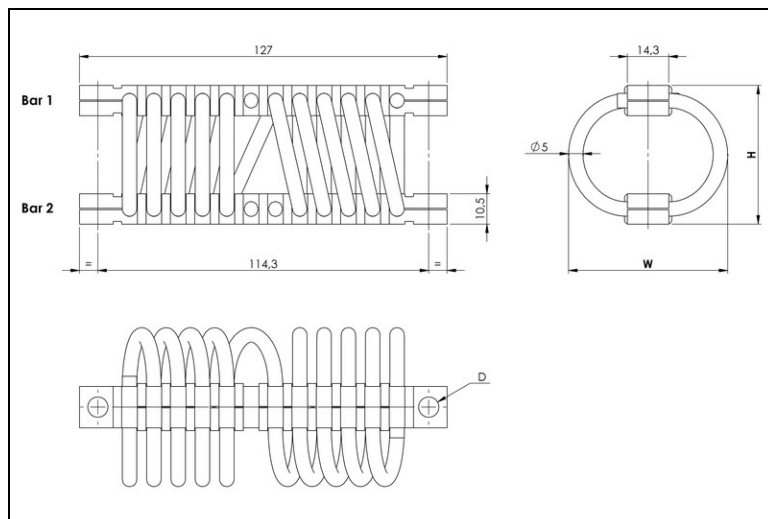


WIRE ROPE ISOLATORS: 'HELICAL'

DEFINITION
series C6H



- All metal multidirectional anti-vibration/shock mounts
- Exceptional reliability and long life
- High damping
- No aging
- Corrosion resistant
- Unequalled temperature range : -180°C to +300°C / -290F to 570 F
- Great adaptability/versatility

Specials on request

(material size and number of loops, etc.)

Dimensions are in millimeters. For reference only

SERIES
Materials and finishes (meets RoHS requirements)
C6H
Cable: stainless steel
Retainer bars: aluminium alloy/ SurTec
Clips: stainless steel
Inserts: alloy steel/ zinc plate
Other materials on request

MODEL			
	height H (mm)	width W (mm)	weight (kg)
310	31	37	0,20
410	34	39	0,20
510	37	42	0,21
610	39	44	0,22
710	42	47	0,23
810	44	49	0,23
910	51	58	0,26
1010	52	63	0,26
1110	55	74	0,28
1210	57	80	0,30
1310	81	107	0,37

INTERFACES			
fixtures holes D	Bar 1		
	2 through holes ø6,4mm	2 through holes ø6,4mm countersun k 90°	2 inserts M6
Bar 2			
2 through holes ø6,4mm	no suffix	not standard	not standard
2 through holes ø6,4mm countersunk 90°	CM	CM2	not standard
2 inserts M6	IM	CIM	IM2

C 6 H 3 1 0 C I M

SERIE: C6H

'Helical' mount from the C6H series

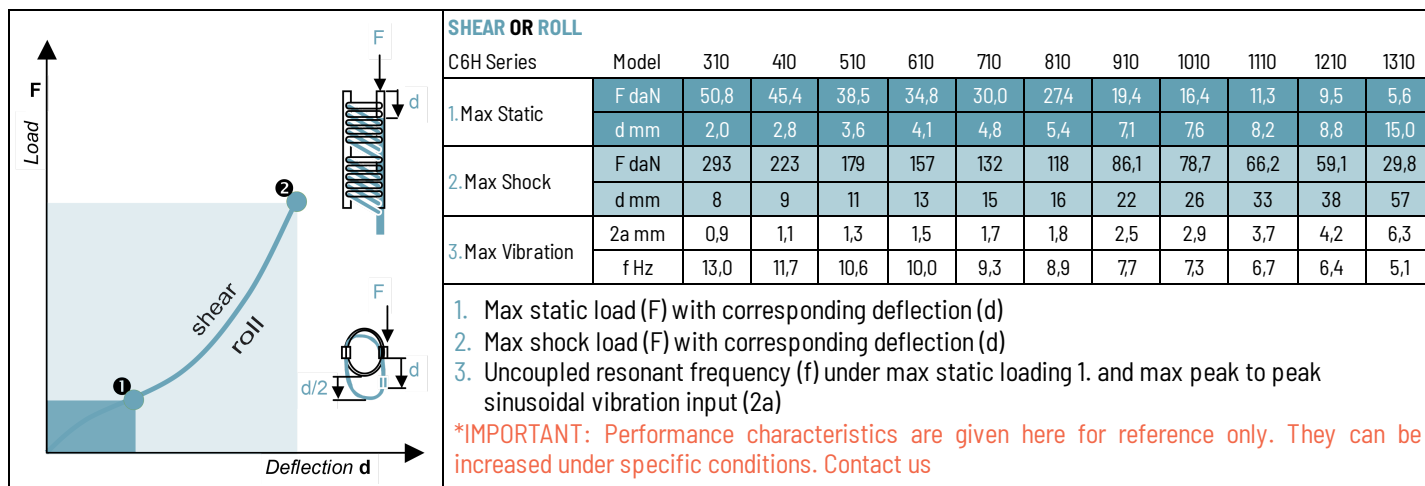
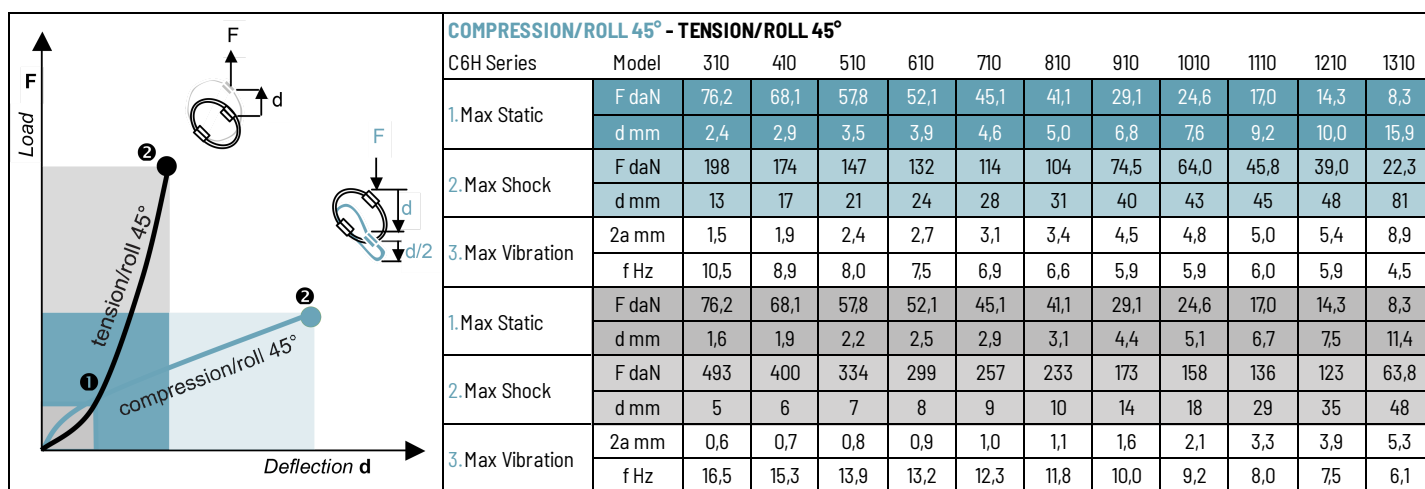
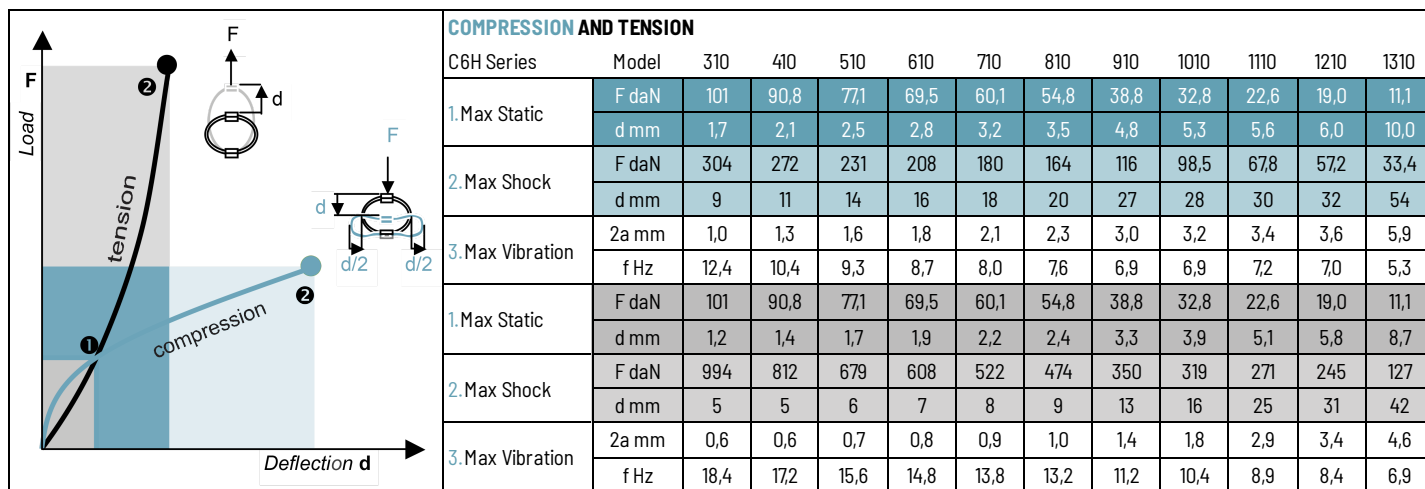
MODEL: 310

height: 31mm
width: 37mm
weight: 0,20kg
loops: serie
standard is 10 loops

INTERFACE: CIM

2 through holes ø6,4mm
countersunk 90° in bar 1,
2 inserts M6 in bar 2





TYPICAL SHOCK/VIBRATION SPECIFICATIONS:

- Air** AIR 7306, MIL-E-5400, MIL-C-172, MIL-STD-810
- Ground Forces** GAM EG13A, SEFT 001, MIL-STD-810, VG 9533
- Marine** GAM EG13C, IT25-21/96-31/15-86, MIL-S-167, MIL-S-901, STANAG 042, BV 043.73, BV 044
- Others** GAM EMB1, GAM EMBT4, DEF STAN 07-55, IEC 571, FINABEL 2C